



## Optimal productivity

- Up to 4 simultaneous, proportional movements
- 1.8 m wide platform

## Excellent manoeuvrability in the tightest spaces

- Narrow turning radius
- Zero tailswing

## Outstanding rough terrain driving features

- 4 wheel drive and 4 wheel steer
- Differential wheel lock
- 42 cm ground clearance



# HA260 PX

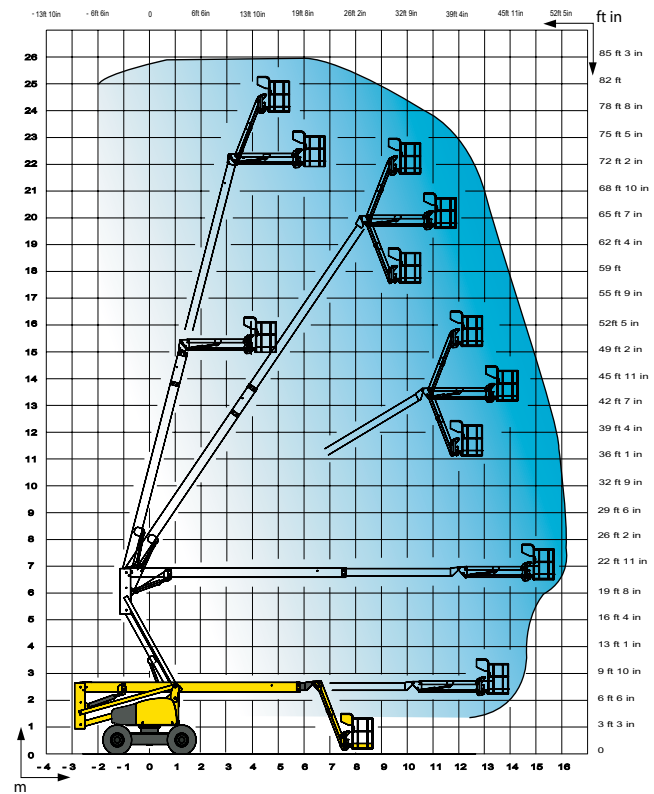


## ROUGH TERRAIN ARTICULATING BOOMS

### TECHNICAL DATA

### HA260 PX

Working height	25.6 m
Platform height	23.6 m
Horizontal outreach	16.2 m
Up and over clearance	6.8 m
Lift capacity	230 kg
<b>F</b> x <b>G</b> Platform size	1.8 x 0.8 m
<b>A</b> Length	12 m
<b>B</b> Width	2.38 m
<b>C</b> Height - stowed	2.67 m
Vertical jib rotation	140° (+70/-70)
Platform rotation	180° (+90/-90)
Turntable rotation	360°
Tailswing	0 m
<b>D</b> Wheelbase	2.8 m
<b>E</b> Ground clearance	42 cm
Tilt	5°
Drive speed	0.45 - 4.5 km/h
Gradeability	40 %
Turning radius - outside	3.9 m
Tires - foam-filled	385/65-22.5
Power source	31.2 kW - 42.4 hp
Weight	15950 kg

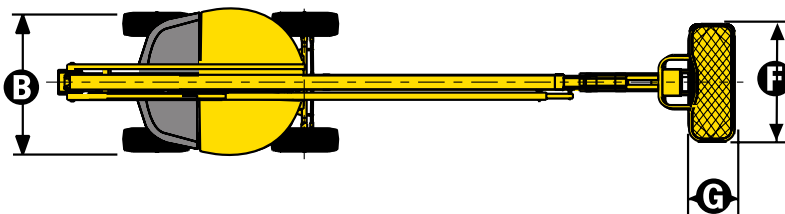
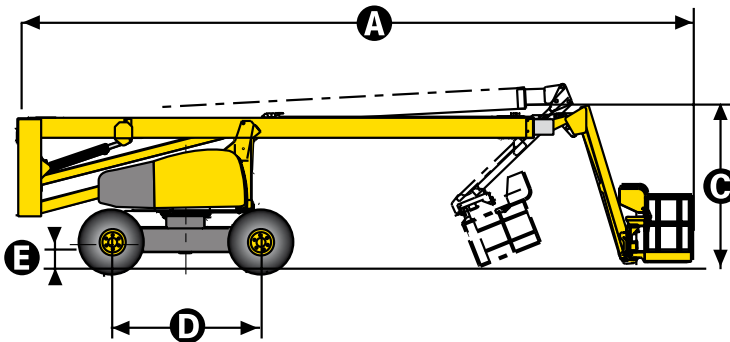


### STANDARD EQUIPMENT

- 4 wheel drive and steer
- Load Managing System in the platform
- 220 V / 16 A power line to platform
- 5° tilt alarm
- Deutz air cooled diesel engine
- 12 V proportional controls at platform
- Battery electric emergency lowering system
- Brake release
- Hourmeter
- Slewing block pin
- Towing hooks / lifting eyes
- 2 hooks for safety harness in platform

### OPTIONS AND ACCESSORIES

- Rotating beacon
- Catalytic exhaust
- Travel alarm
- Cold weather package
- Large platform 2.44 x 0.8m
- On-board 3,3 kW generator
- Encoded starting device
- Working light
- Warm environment kit



240327270 - We reserve the right to modify the technical characteristics of this document without notice - 06/2012

